



WV-CP650 series and WV-CPR650 series cameras incorporate a newly developed 1/3" CCD designed with a revolutionary advanced driving circuit. They also incorporate a 3rd generation Digital Signal Processing (DSP) LSI which achieves a much wider dynamic range.

Panasonic's innovative combination of a new 1/3" CCD and new DSP circuit design produces a dynamic range that is an incredible 40 times greater than the dynamic range found in conventional cameras. With Panasonic's Super-Dynamic Colour Camera WV-CP650 series, you can get satisfactory pictures under difficult lighting conditions.

Key Features

- 1/3" Super Dynamic CCD <753 (H) × 582 (V)>
- The 3rd generation Digital Signal Processor
- 480-line horizontal resolution
- 50dB of S/N ratio (AGC OFF, Weight ON)
- Minimum illumination of 3 lx F1.4, 2 lx F1.2, 0.9 lx F0.75
- Remote control function with single coaxial cable (WV-CP650/CP654) or via RS485 Terminal (WV-CPR650/CPR654)
- On-screen set-up menu
- Built-in character generator of up to 16 letters
- Electronic shutter from 1/50 to 1/10000 second
- Electronic Sensitivity Enhancer (Max 32 times)
- The 2nd generation built-in Digital Motion Detector
- Alarm out terminal & Alarm Signal Sending over the coaxial cable (WV-CP650/CP654 only)
- Gen-Lock capability for the large system Application
- VD2 Sync Capability with Panasonic system products
- C/CS adjustable lens mount
- Accepts DC or video servo lenses
- Accepts both AC 24V & DC 12V in the same model
- (WV-CP654/CPR654)

The Super Dynamic DSP cameras

Conventional Camera



To view inside the iris must be opened but the image of outside is out of the Dynamic-range.



To view outside the iris must be closed but the image of the inside is too dark to see.

Super Dynamic Camera



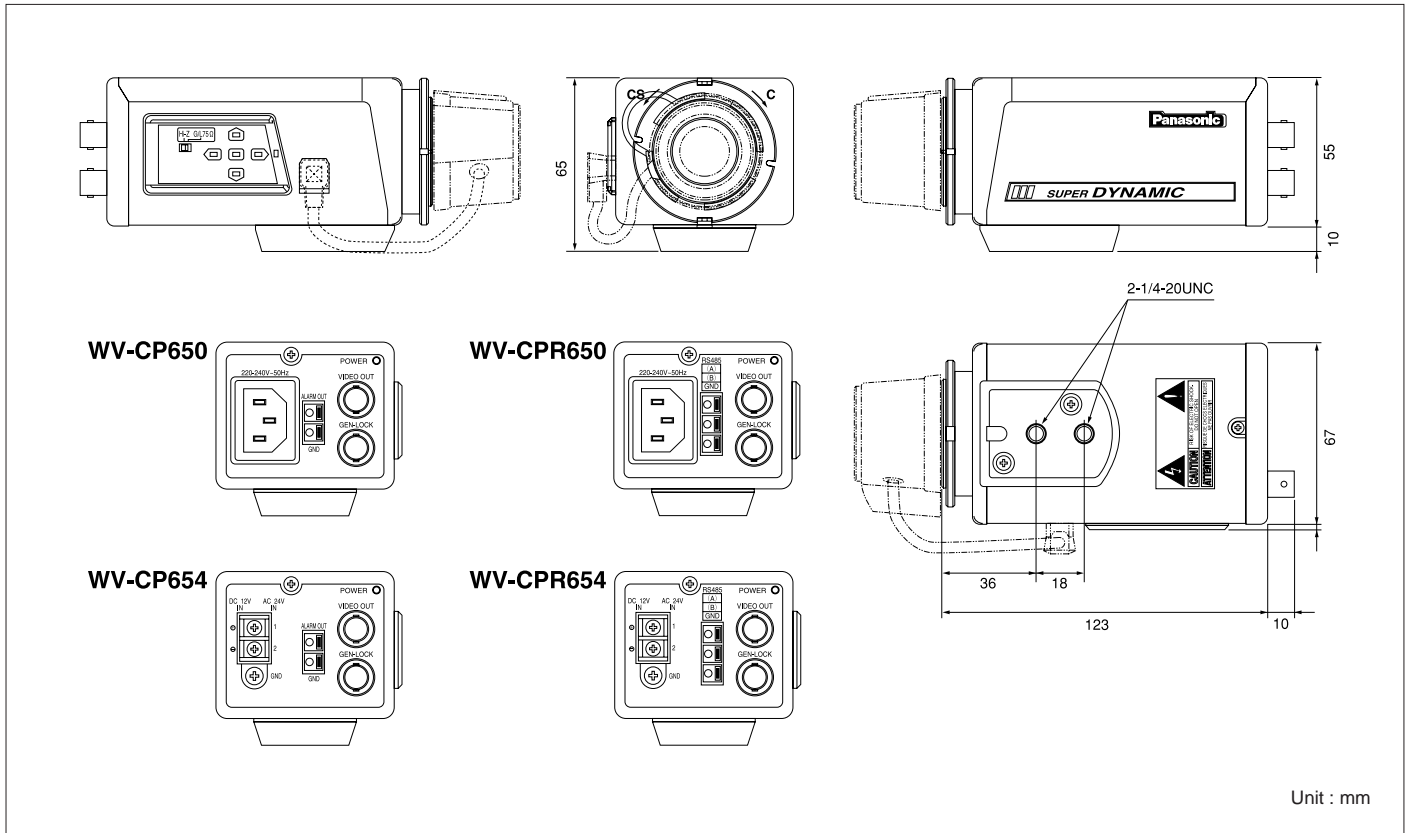
This camera has 40 times wider dynamic range compared to a conventional camera enabling you to see all the details in this scene, even under such difficult lighting conditions.

SPECIFICATIONS

Model Number	Singlewire Control system WV-CP650 WV-CP654	RS-485 Control system WV-CPR650 WV-CPR654	ALC Lens Drive	Video Servo / DC servo Selectable
Pick-up Device	1/3" inch Interline Super-Dynamic CCD		Lens Mount	C/CS Mount
Scanning Area	4.9 (H) × 3.6 (V) mm (Equivalent to Scanning of 1/3" Pick-up tube)		Function	
Scanning System	2:1 Interlace		Communication	Single Wire RS-485
Scanning	625 line / 50 field / 25 frame		Camera Title	16 Character Display (Alphabet, Numeric, Symbols)
Horizontal	15.625 kHz		Light Control	ALC (Super-D ON/OFF) / ELC
Vertical	50 Hz		Electric Shutter (second)	1/50 (OFF), 1/120, 1/250, 1/500, 1/1,000, 1/2,000, 1/4,000, 1/10,000 (BLC & Super-Dynamic Function can not be used same time)
Horizontal Resolution	480 TV Line		AGC	ON/OFF
Signal to Noise Ratio	50 dB (AGC OFF, Weight ON)		Electric Sensitivity Up	Auto: X2, X4, X6, X10, X16, X32 Fix: X2, X4, X6, X10, X16, X32
Minimum Illumination	F1.4: 3 lx F1.2: 2 lx F0.75: 0.9 lx		White Balance	ATW (2,600°K - 6,000°K) / AWC (2,300°K - 10,000°K)
Synchronization	Internal Sync/Line Lock/VD2/VBS, VS Sync 360 V-Phase adjustment of Line Lock H-Phase Adjustment SC-Phase Adjustment 75 Ω Termination for the G/L		Motion Detector	On/Off 6 × 8 Masking AREA AVAILABLE FOR Masking (Sensitivity Area will be 12 × 16 Zone)
Video Output	1.0 V [p-p] PAL Composite 75 Ω BNC Connector		Back Light Compensation	6 × 8 Masking AREA AVAILABLE FOR BLC (BLC & Super-Dynamic Function can not be used same time)
Gain Control	Selectable AGC ON (14 dB) or OFF		Communication Distance	1.2 km by Belden 9259 or equivalent 1.2 km by Twisted pairs cable
Automatic Light Compensation	ALC: 1:52,000 / ELC, 1:10,000 Selectable ALC with Super Dynamic (ON/OFF) or ELC		Operating Temperature	-10°C — +50°C
Electric Light Control	Equivalent to continuous variable Shutter between 1/50 to 1/1,000		Operating Humidity	Less than 90%
			Power Source	220 - 240V 50 Hz AC 24 V/DC 12 V 220 - 240V 50 Hz AC 24 V/DC 12 V
			Power Consumption	5.5 W 5.4 W/570 mA 6.3 W 6.3 W/690 mA
			Dimensions	67 (W) × 65 (H) × 123 (D) mm
			Weight	Approx. 410 g (not including power cord)

Accessories ●Instruction manual...1 ●ALC connector...1

APPEARANCE



Unit : mm

- All TV pictures are simulated.
- Weights and dimensions are approximate.
- Specifications are subject to change without notice.
- These products may be subject to export control regulations.

DISTRIBUTED BY:

Panasonic

Panasonic is the brandname of Matsushita Electric.
Printed in Japan
[N-587A]