



Lens: Option

WV-CP450 series cameras incorporate a newly developed 1/3" CCD designed with a revolutionary advanced driving circuit. They also incorporate a 3rd generation Digital Signal Processing (DSP) which achieves a much wider dynamic range.

Panasonic's innovative combination of a new 1/3" CCD and new DSP circuit design produces a dynamic range that is an incredible 40 times greater than the dynamic range found in conventional cameras. With Panasonic's Super-Dynamic Colour Camera WV-CP450 series, you can get satisfactory pictures under difficult lighting conditions.

### Key Features

- 1/3" Super Dynamic CCD <753 (H) × 582 (V)>
- The 3rd generation Digital Signal Processor
- 480-line horizontal resolution
- 50dB of S/N ratio (AGC OFF, Weight ON)
- Minimum illumination of 3 lx F1.4, 2 lx F1.2, 0.9 lx F0.75
- Remote control function with single coaxial cable (WV-CP450/CP454)
- On-screen set-up menu
- Built-in character generator of up to 16 letters
- Electronic shutter from 1/50 to 1/10000 second
- Gen-Lock capability for the large system Application
- VD2 Sync Capability with Panasonic system products
- C/CS adjustable lens mount
- Accepts DC or video servo lenses
- Accepts both AC 24V & DC 12V in the same model (WV-CP454)

### The Super Dynamic DSP cameras

#### Conventional Camera



To view inside the iris must be opened but the image of outside is out of the Dynamic-range.



To view outside the iris must be closed but the image of the inside is too dark to see.

#### Super Dynamic Camera



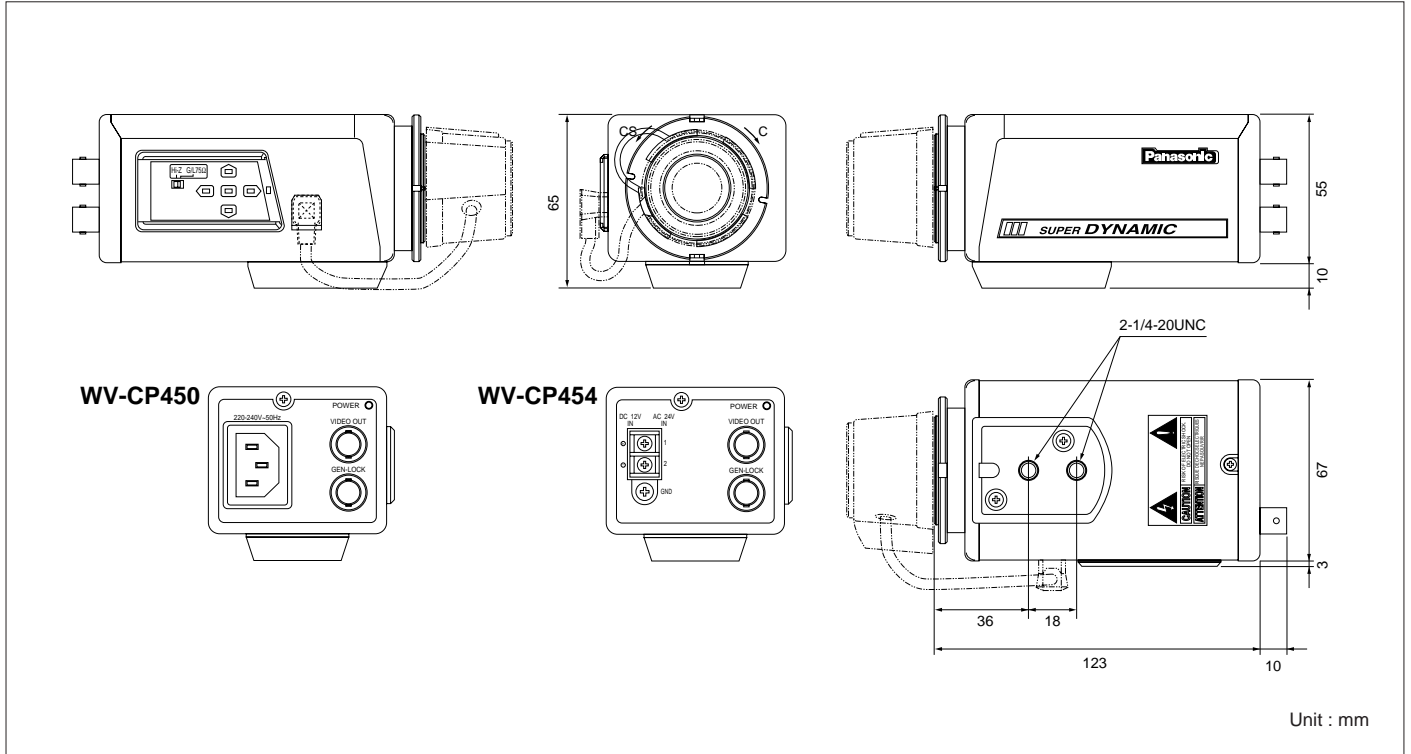
This camera has 40 times wider dynamic range compared to a conventional camera enabling you to see all the details in this scene, even under such difficult lighting conditions.

# SPECIFICATIONS

<b>Model Number</b>	Singlewire Control system WV-CP450	WV-CP454	<b>Automatic Light Control</b>	ALC: 1:52,000 / ELC, 1:10,000 Selectable ALC with Super Dynamic (ON/OFF) or ELC
<b>Pick-up Device</b>	1/3" inch Interline Super-Dynamic CCD		<b>Electric Light Control</b>	Equivalent to continuous variable Shutter between 1/60 to 1/1,000 second
<b>Scanning Area</b>	4.9 (H) × 3.6 (V) mm (Equivalent to Scanning of 1/3" Pick-up tube)		<b>ALC Lens Drive</b>	Video Servo / DC servo Selectable
<b>Scanning System</b>	2:1 Interlace		<b>Lens Mount</b>	C/CS Mount
<b>Scanning</b>	625 line / 50 field / 25 frame		<b>Function</b>	
<b>Horizontal</b>	15.625 kHz		<b>Camera Title</b>	16 Character Display (Alphabet, Numeric, Symbols)
<b>Vertical</b>	50 Hz		<b>Light Control</b>	ALC (Super-D ON/OFF) / ELC
<b>Horizontal Resolution</b>	480 TV Line		<b>Electronic Shutter</b>	1/50 (OFF), 1/120, 1/250, 1/500, 1/1,000, 1/2,000, 1/4,000, 1/10,000 second (BLC & Super-Dynamic Function can not be used same time)
<b>Signal to Noise Ratio</b>	50 dB (AGC OFF, Weight ON)		<b>AGC</b>	ON/OFF
<b>Minimum Illumination</b>	F1.4: 3 lx F1.2: 2 lx F0.75: 0.9 lx		<b>White Balance</b>	ATW (2,600° K - 6,000° K) / AWC (2,300° K - 10,000° K)
<b>Synchronization</b>	Internal Sync/Line Lock/VD2/VBS, VS Sync 360 V-Phase adjustment of Line Lock H-Phase Adjustment SC-Phase Adjustment 75 Ω Termination for the G/L		<b>Back Light Compensation</b>	6 × 8 Masking AREA AVAILABLE FOR BLC (BLC & Super-Dynamic Function can not be used same time)
<b>Video Output</b>	1.0 V [p-p] PAL Composite 75 Ω BNC Connector		<b>Operating Temperature</b>	-10°C — +50°C
<b>Gain Control</b>	Selectable AGC ON (14 dB) or OFF		<b>Operating Humidity</b>	Less than 90%
			<b>Power Source</b>	220 — 240 V 50 Hz AC 24 V/DC 12 V
			<b>Power Consumption</b>	5.3 W 5.2 W/540 mA
			<b>Dimensions</b>	67 (W) × 65 (H) × 123 (D) mm
			<b>Weight</b>	Approx. 410 g (not including power cord)

**Accessories** • Instruction manual ...1 • ALC connector ...1

# APPEARANCE



- All TV pictures are simulated.
- Weights and dimensions are approximate.
- Specifications are subject to change without notice.
- These products may be subject to export control regulations.

DISTRIBUTED BY:

# Panasonic

Panasonic is the brandname of Matsushita Electric.  
Printed in Japan  
[N-588A]