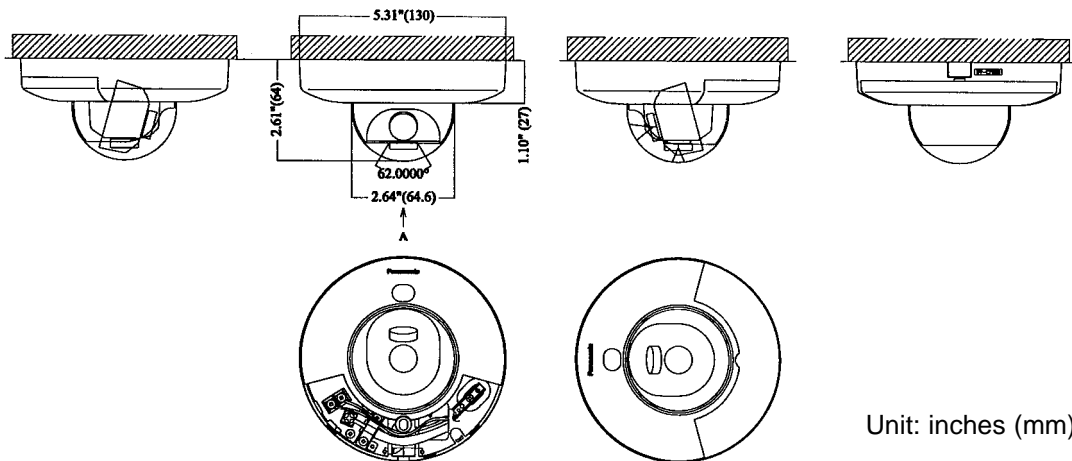
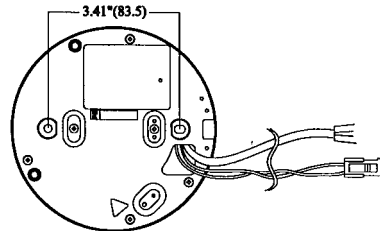


### WV-CF202 Micro Dome Color Camera

#### PRODUCT FEATURES

- 2.5" compact color dome camera
- 330 lines horizontal resolution
- 46dB S/N ratio
- Minimum illumination of 5 lux (0.5 fc) at f/2.0
- 180° panning and 150° tilting angle adjustable
- Built-in fixed focal lens: f=3.8mm, F2.0
- Auto Tracing White Balance (ATW) control function is provided
- 12VDC operation
- Wide variety of optional camera lenses to suit various applications are available
- Optional lenses: WV-LXY18C4 (1.8mm), WV-LXY23C4 (2.3mm) and WV-LXY47C4 (4.7mm)

The WV-CF202 is a dome-type color video surveillance device that incorporates a 1/4" high performance CCD. With a newly developed IC circuit, the camera section provides a 330-line horizontal resolution and a S/N ratio of 46dB. A f=3.8mm, F2.0 focal lens allows for easy installation and utilization flexibility. The WV-CF202 is suitable for banks, hotels and many other commercial facilities.



Unit: inches (mm)

**WV-CF202 Micro Dome Color Camera**

**GENERAL SPECIFICATIONS**

<b>Pickup Device</b>	512(H) x 492(V) pixels, interline transfer CCD
<b>Scanning Area</b>	3.61(H) x 2.72(V)mm (equivalent to 1/4" tube)
<b>Synchronization</b>	Internal
<b>Scanning</b>	525 lines/60 fields/30 frames; Horizontal: 15.734kHz; Vertical: 59.94Hz
<b>Horizontal Resolution</b>	330TV lines
<b>Video Output</b>	1.0Vp-p NTSC composite, 75 ohms/BNC connector
<b>S/N Ratio</b>	46dB (AGC off, weight on)
<b>Minimum Illumination</b>	5 lux at f/2.0
<b>Angular Field-of-View</b>	Horizontal: 53°; Vertical: 40° (f=3.8mm)
<b>Ambient Operating Temperature</b>	14°F – 122°F (-10°C – +50°C)
<b>Ambient Operating Humidity</b>	Less than 90%
<b>Power Source</b>	12VDC, 110mA
<b>Dimensions</b>	Approx. 2 1/2"H x 5 1/8"W (64 x 130mm)
<b>Weight</b>	0.7 lbs. (0.3kg)

**STANDARD ACCESSORY**

1 pc. Rubber cap

**OPTIONAL ACCESSORIES**

<b>WV-LXY18C4</b>	Fixed iris lens (1.8mm)
<b>WV-LXY23C4</b>	Fixed iris lens (2.8mm)
<b>WV-LXY47C4</b>	Fixed iris lens (4.7mm)
<b>WV-PS12</b>	12VDC power supply unit

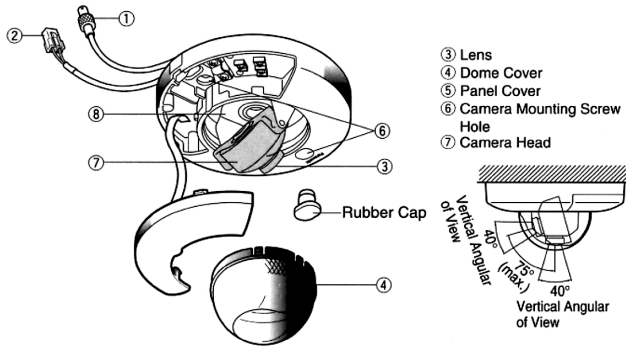
Weights and dimensions shown are approximate. Specifications subject to change without notice.

**OPTIONAL ACCESSORIES**



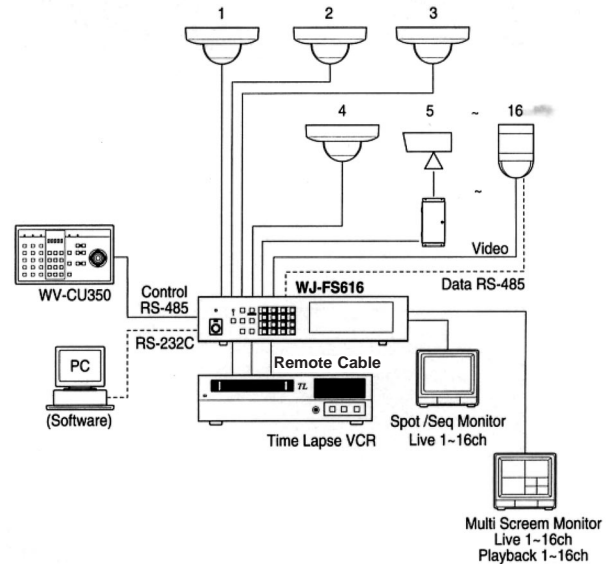
WV-PS12

**MAJOR OPERATING CONTROLS**



Pin No.	Power Source	Cable Color
1	Ground	Black
2	DC 12V	White

**SYSTEM CONFIGURATION**



**ARCHITECTS' AND ENGINEERS' BID SPECIFICATIONS**

The micro camera/dome assembly shall be a self-contained unit that incorporates an integral color camera, fixed lens and miniature dome assembly. The micro dome camera shall be a Panasonic Model WV-CF202 or equivalent. The camera's dome unit shall have a diameter of approx. 2.5". The camera shall feature an advanced 1/4" CCD with a built-in complimentary color filter and 512(H) x 492(V) pixels with microlens on each pixel. The camera shall be equipped with an interline transfer CCD with a scanning area of 3.61(H) x 2.72(V) mm to produce a high quality picture with a horizontal resolution of over 330 lines with a minimum illumination of 5 lux (f/2). The camera shall feature auto tracing white balance for accurate color reproduction. The unit shall incorporate a fixed lens with a focal length of 3.8mm, horizontal field-of-view of 53° (and vertical field-of-view of 40°). The unit shall feature a removable lens; optional lenses shall include Models WV-LXY18C4 (1.8mm), WV-LXY23C4 (2.3mm) and WV-LXY47C4 (4.7mm). The camera unit and dome housing shall not exceed approx. 2 1/2"H x 5 1/8"W. The power source shall be 12VDC (110 mA).