



The Panasonic WJ-MS488 Colour Quad is designed for CCVE applications where multiple surveillance cameras are required. Up to eight (8) cameras either colour or black and white, can be connected to the WJ-MS488 and 8 camera images are able to be displayed in quad, 3x3 or spot screen. The WJ-MS488 is designed to compensate jaggy image so that diagonal lines can be displayed naturally. Refresh rate of quad screen is real time which makes WJ-MS488 a suitable device for monitoring multiple cameras.

Key Features

Compatible with Most 2 : 1 Interlace cameras

Advanced digital processing technology allows connection of most 2 : 1 interlace cameras available today without synchronization of the eight video inputs.

Alphanumeric Character Generator

Title insertion of up to 8 characters in each of the 8 cameras is possible. This enables easy identification of the separate camera locations.

Real time refresh quad image

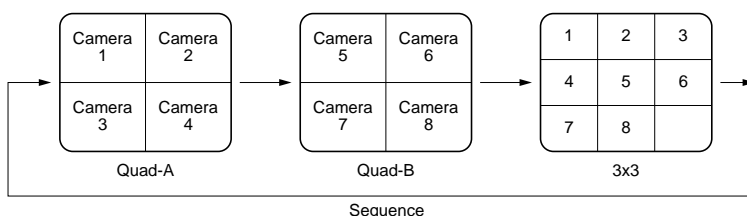
The WJ-MS488 equips 4 video signal processing circuitry so that real time refresh quad image can be displayed.

Monitor output and VTR output

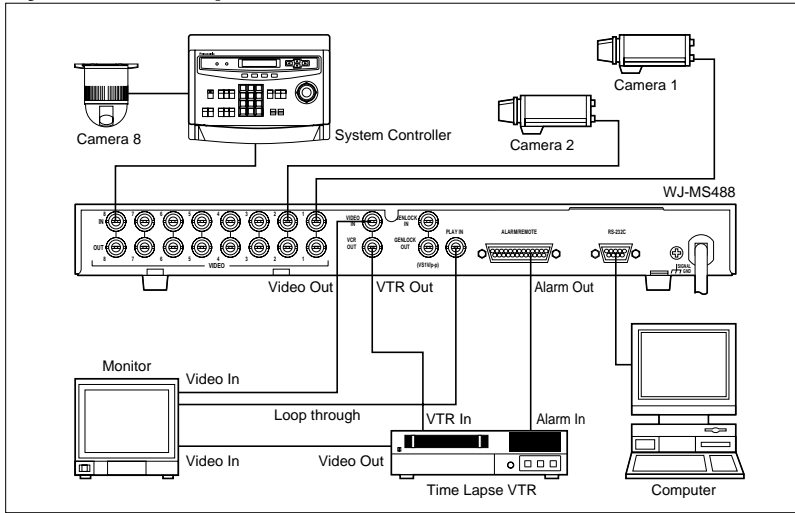
The WJ-MS488 equips Monitor output which supplies quad-A, quad-B, 3x3 or spot screen, and VTR output which supplies quad-A, quad-B or 3x3 screen.

- Video Loss Detection : If the video signal is lost due to a disconnected cable or other reasons, an alarm buzzer beeps and a caution message is displayed on the monitor screen.

- Built-in RS-232C connector for remote control by computer.
- The Quad Shift button allows you to shift display modes including quad-A, quad-B and 3x3 screen.
- STILL mode : When monitoring live camera pictures, any of camera pictures can be displayed in still mode.
- Digital Zoom : When monitoring playback pictures, the image can be zoomed 2x. The WJ-MS488 equips two different zoom modes such as preset mode and adjust mode.
- Alarm Handling : The WJ-MS488 equips 8 alarm inputs. When an alarm is activated, corresponding camera image is displayed in spot (monitor output) and alarm output signal is supplied to the VTR.
- Sequence Function : An 10 steps sequence pattern including quad-A, quad-B and 3x3 screen and a 2 steps quad sequence including quad-A and quad-B can be programmed.



System Example



Optional Components & Accessories

Colour Cameras

WV-CL830 series
WV-CP650 series
WV-CP450 series
WV-CP230 series



Colour Unitized Devices

WV-CS650 series
WV-CS400 series



Colour Monitors

WV-CM1000
WV-CM1430
WV-CM1470
WV-CM2000

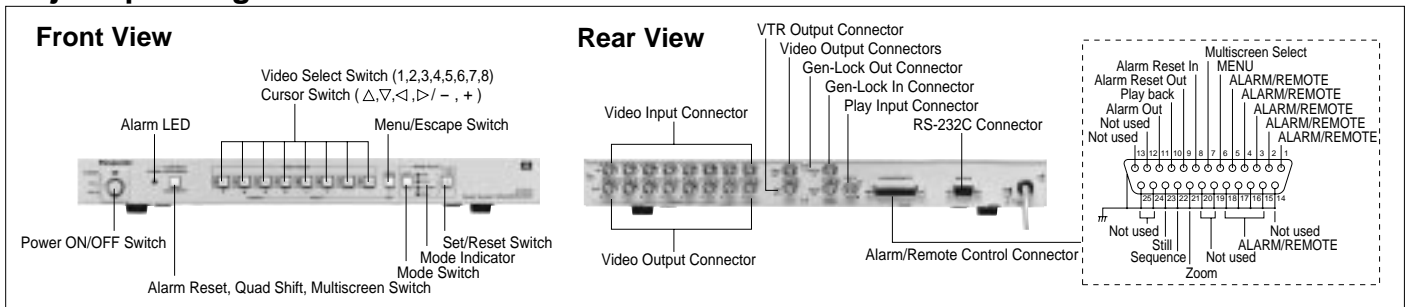


System Controller

WV-CU151



Major Operating Controls



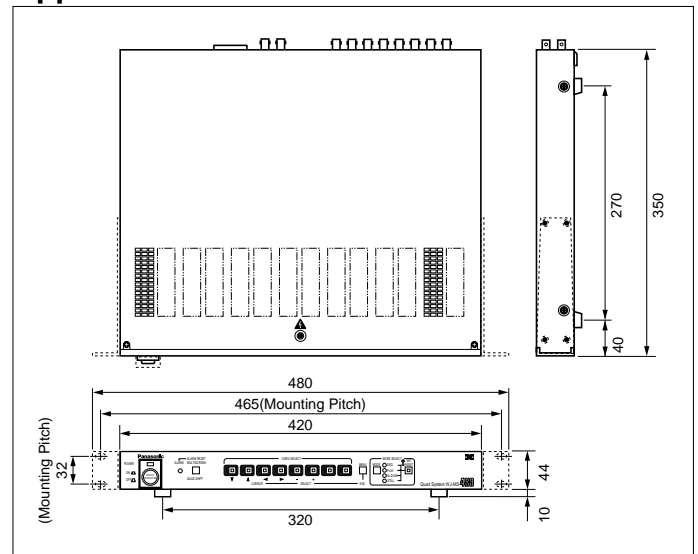
Specifications **PAL**

Power Source	220V-240V AC, 50Hz
Power Consumption	13W
Video Input	2:1 interlace, composite 1V [p-p] 75Ω, auto termination or loop-through, black and white or colour video signal X8 (Each video signal should be synchronized vertically for vertical interval switching.)
Video Output	Video Output X1, composite, 1V [p-p] 75Ω, colour or black and white video signal with composite sync and burst signal.
Title	Up to 8 characters per window
Alarm Input	One per 8 video inputs (max. DC 12V and a make-contact for ground)
Alarm Output	One (max. DC 24V, 100mA, open collector circuit)
Alarm Time	Adjustable approx. 1s to 30s, 1, 2, 3, 4, 5 min. or EXT
Recover Input	One (max. DC 12V and a make-contact for ground)
Auto Reset Time	Adjustable approx. 1s to 30s, 1, 2, 3, 4, 5 min. or OFF
Ambient Operating Temperature	-10°C to +50°C
Dimensions	420(W) X 44(H) X 350(D) mm
Weight	3.6kg

Standard Accessories

- Rack Mounting Brackets 1 set
- Rack Mounting Bracket Fixing Screws 8 pcs
- Switch Protector 1pc

Appearance Unit : mm



●Weights and dimensions are approximate.●Specifications are subject to change without notice. ●These products may be subject to export control regulations.

DISTRIBUTED BY:

Panasonic

Panasonic is the brand name of Matsushita Electric
Printed in Japan (N-618)