

POH1000/1000HB  
POH1500/1500HB



POH1000



POH1500

## KEY FEATURES

### POH1000:

- Fits all current Panasonic 1/8" cameras with all Panasonic fixed focal length 1/2" and 1/8" ALC lenses
- Lightweight aluminum chassis
- Side hinges for ease of access when focusing and adjusting the camera
- Terminal block interface for easy connection
- Provision for optional heater/blower and sun shield

### POH1000HB:

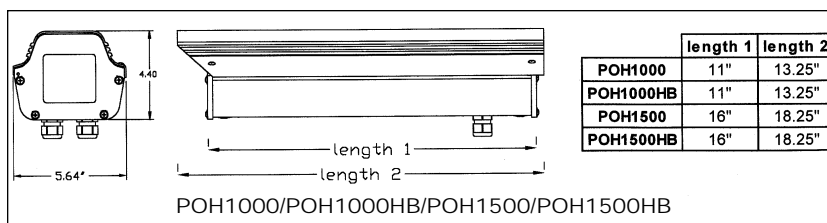
- Same as POH1000, plus built-in heater/blower

### POH1500:

- Longer version of POH1000, fits all current Panasonic cameras with all Panasonic fixed focal length and zoom lenses

### POH1500HB:

- Same as POH1500, plus built-in heater/blower



## ARCHITECTS' AND ENGINEERS' BID SPECIFICATIONS

### POH1000

The indoor/outdoor extruded aluminum camera housing shall be a Panasonic Model POH1000 or equivalent. The housing shall be compatible for use with a 1/8" Panasonic CCD camera with Panasonic fixed focal lens. The housing shall be compatible for use with a heater (PHK10) and blower (PBK10), both 24VAC. The housing shall include a side hinge for ease of access for focus adjusting and servicing. The housing shall be suitable for use with a sun shield (PSS10). The housing shall be compatible for use with the following mounts: WV-831 light duty mount; P9000HW medium duty wall mount; P9000HP medium duty pole mount, and P9000HC medium duty corner mount. The housing's dimensions shall not exceed 4.375"H x 5.625"W x 11"L. The housing's weight shall not exceed 2.8 lbs. The power source shall be 24VAC, 60Hz.

### POH1000HB

The indoor/outdoor extruded aluminum camera housing shall be a Panasonic Model POH1000HB or equivalent. The housing shall be compatible for use with a 1/8" Panasonic CCD camera with Panasonic fixed focal lens. The housing shall include a factory-installed heater and blower, both 24VAC. The housing shall include a side hinge for ease of access for focus adjusting and servicing. The housing shall be suitable for use with a sun shield (Panasonic PSS-10). The housing shall be compatible for use with the following mounts: WV-831 light duty mount; P9000HW medium duty wall mount; P9000HP medium duty pole mount, and Panasonic P9000HC medium duty corner mount. The housing's dimensions shall not exceed 4.375"H x 5.625"W x 11"L. The housing's weight shall not exceed 3.35 lbs. The power source shall be 24VAC, 60Hz.

### POH1500

The indoor/outdoor extruded aluminum camera housing shall be a Panasonic Model POH1500 or equivalent. The housing shall be compatible for use with a 1/8" or 1/4" Panasonic CCD camera with Panasonic zoom lens. The housing shall be compatible for use with a heater (PHK10) and blower (PBK10), both 24VAC. The housing shall include a side hinge for ease of access for focus adjusting and servicing. The housing shall be suitable for use with a sun shield (PSS15). The housing shall be compatible for use with the following mounts: WV-831 light duty mount; P9000HW medium duty wall mount; P9000HP medium duty pole mount, and P9000HC medium duty corner mount. The housing's dimensions shall not exceed 4.375"H x 5.625"W x 16"L. The housing's weight shall not exceed 3.3 lbs. The power source shall be 24VAC, 60Hz.

### POH1500HB

The indoor/outdoor extruded aluminum camera housing shall be a Panasonic Model POH1500HB or equivalent. The housing shall be compatible for use with a 1/8" or 1/4" Panasonic CCD camera with Panasonic zoom lens. The housing shall include a factory-installed heater and blower, both 24VAC. The housing shall include a side hinge for ease of access for focus adjusting and servicing. The housing shall be suitable for use with a sun shield (PSS15). The housing shall be compatible for use with the following mounts: WV-831 light duty mount; P9000HW medium duty wall mount; P9000HP medium duty pole mount, and P9000HC medium duty corner mount. The housing's dimensions shall not exceed 4.375"H x 5.625"W x 16"L. The housing's weight shall not exceed 3.85 lbs. The power source shall be 24VAC, 60Hz.

# SPECIFICATIONS

POH1000/1000HB	
Dimensions	4.375"(H) x 5.625"(W) x 11.00"(L)
Weight	2.8 lbs. (POH1000); 3.35 lbs. (POH1000HB)
Power Source	24VAC, 60Hz
Accessories (supplied)	Camera mounting bolt/plain washer (2pcs.); Housing mounting bolt/plain washer and spring washer for WV-7260D (2pcs.); Housing mount bolt/plain washer and spring washer for P9000H series (2pcs.); Cable strain relief with locknuts (2pcs.)
POH1500/1500HB	
Dimensions	4.375"(H) x 5.625"(W) x 16.00"(D)
Weight	3.3 lbs. (POH1500); 3.85 lbs. (POH1500HB)
Power Source	24VAC, 60Hz
Accessories (supplied):	Camera mounting bolt/plain washer (2pcs.); Housing mounting long bolt/plain washer and spring washer for WV-7260D pan/tilt (2pcs.); Housing mount short bolt/plain washer, spring washer for P9000H series (2pcs.); Cable strain relief with locknuts (2pcs.)
PBK10	
Dimensions	3.00"(H) x 3.00"(W) x 1.50"(D)
Weight	.45 lbs.
Power Source	24VAC, 1.4W

Accessories (supplied)	PCB power board with blower housing and PCB bracket (1pc.); Mounting screws/plain and washers (4pcs.); PCB standoffs (4pcs.); Wire Management Clips (2pcs.)
PBK12	
Dimensions	3.81"(H) x 4.6"(W) x 2.8"(D)
Weight	7.4 oz.
Power Source	24VAC, 50/60Hz
Accessories (supplied)	Powerboard, 1 pc.; Connector, 1 pc.; Pin, 6 pcs.; Mounting screws, 3 pcs.
PHK10	
Dimensions	2.00"(W) x 2.25"(L)
Weight	1 lbs.
Power Source	24VAC, 25 Watts
Accessories (supplied)	PCB power board with mounting bracket (1pc.); Mounting screws/plain and washers (4ea.); PCB stand-offs (4ea.); Wire management clips (2ea.); 1/4" Screw for heater bracket mount (1ea.)
PSS10	
Dimensions	2.15"(H) x 5.80"(W) x 13.25"(L)
Weight	1.1 lbs.
PSS15	
Dimensions	2.15"(H) x 5.80"(W) x 18.25"(L)
Weight	1.5 lbs.

## OPTIONAL ACCESSORIES

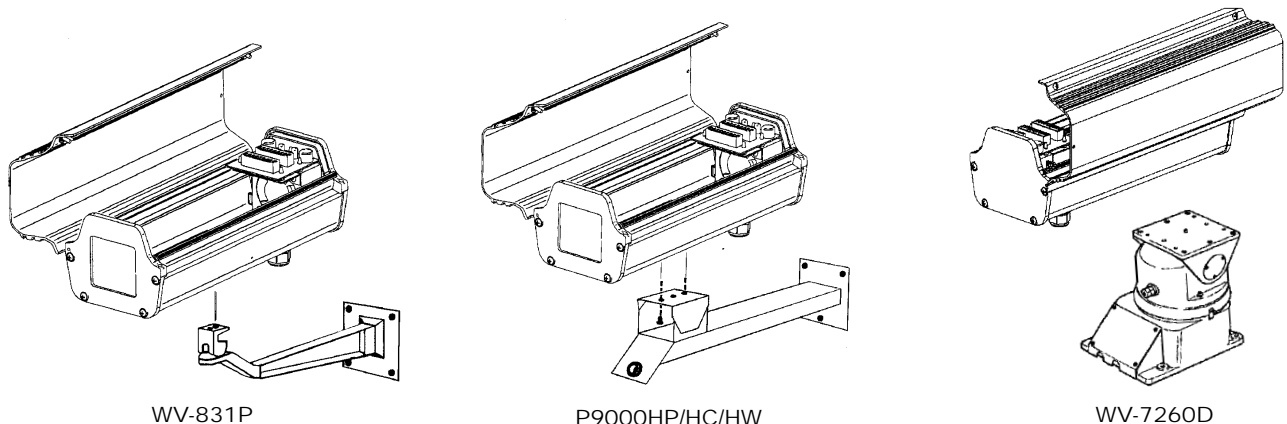
POH1000/1000HB
• PSS10 Sun Shield for POH1000
• PHK10 24VAC, 25W heater kit for POH1000
• PBK10 24VAC, 1.4W blower kit for POH1000

POH1500/1500HB
• PSS15 Sun Shield for POH1500
• PHK10 24VAC, 25W heater kit for POH1500
• PBK10 24VAC, 1.4W blower kit for POH1500

## RECOMMENDED MOUNTS

WV-831P	Light duty wall mount with manual adjustable swivel head. Supports up to 20 lbs.	P9000HP	Medium duty pole mount with manual adjustable swivel head. Supports up to 85 lbs.
P9000HW	Medium duty wall mount with manual adjustable swivel head. Supports up to 85 lbs.	P9000HC	Medium duty corner mount with manual adjustable swivel head. Supports up to 85 lbs.

## POH1000/1000HB/1500/1500HB Mounting Variations



WV-831P

P9000HP/HC/HW

WV-7260D

